

### WAFER BUTTERFLY VALVE LEVER OPERATED

Model: VM-232-WP

Wafer valve PN 10/16

Sizes: 2", 2 1/2", 3", 4" & 6"

CE



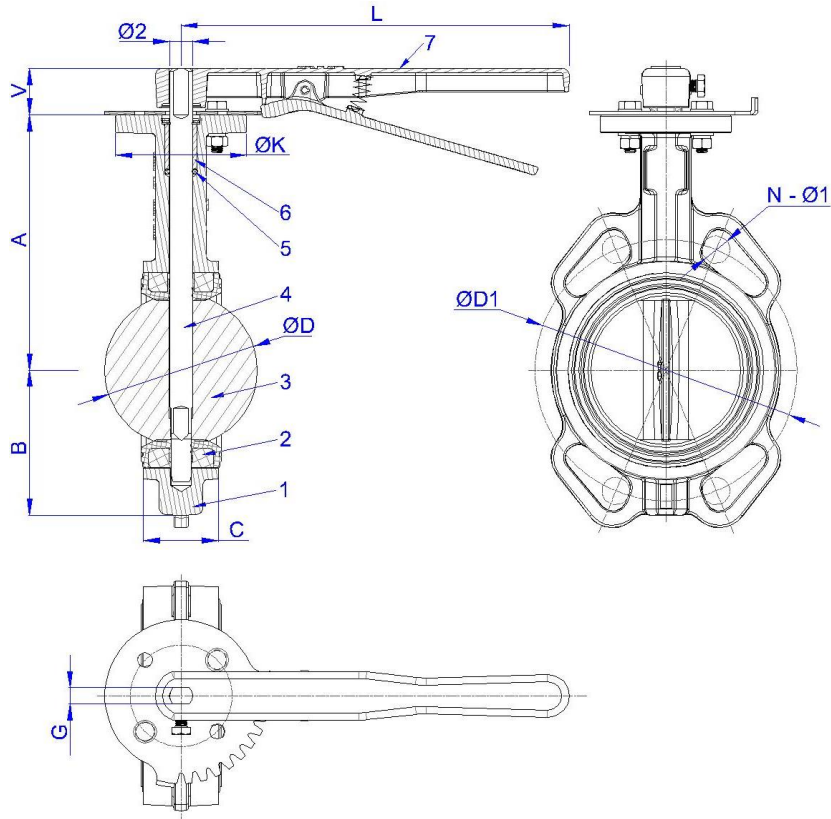
#### TECHNICAL DATA

<b>Model</b>	WM-232-WP Butterfly valve CE Wafer PN 10/16 Lever operated
<b>Sizes</b>	2" DN50 2 1/2" DN65 3" DN80 4" DN100 6" DN150
<b>End connection</b>	Wafer DIN EN 1092
<b>Operated</b>	Lever
<b>Working pressure</b>	PN 10/16 (232 psi)
<b>Temperature range</b>	32°F to 176°F (0°C to 80°C)
<b>Coating</b>	Fusion bonded epoxy coating in accordance with ANSI/AWWA C550
<b>Finish</b>	Fire red RAL 3000

#### MATERIAL LIST

ITEM	NAME	MATERIAL
1	Valve body	EN-GJS-450-10
2	Seat	EPDM & Backing
3	Disc	EN-GJS-450-10
4	Stem	One-Piece Stem Design
5	O-ring	NBR
6	Bushing	Nylon 1010
7	Lever	EN-GJS-10

### DIMENSIONS



SIZES		DIMENSIONS (mm)										
Inch	mm	A	B	V	C	ØD	Ø2	ØK	G	L	ØD1	N-Ø1
2	50	140,5	64,5	32	43	53,9	14	90	9,53	267	125	4-Ø19
2 ½	65	153	72	32	46	65,2	14	90	9,53	267	145	4-Ø19
3	80	157,5	86	32	46	79,7	14	90	9,53	267	160	8-Ø19
4	100	176	100	32	52	105	16	90	11,14	267	180	8-Ø19
6	150	202,5	128	32	56	156	20	90	12,7	267	240	8-Ø23

### ORDERING INFORMATION

SIZE	CODE
2" DN50	VM050WACEPO
2 ½" DN65	VM065WACEPO
3" DN80	VM080WACEPO
4" DN100	VM100WACEPO
6" DN150	VM150WACEPO

Specify:

Model	
Size	
Quantity	

The equipment presented in this data sheet is to be installed in accordance with the latest published Standards of the national fire protection association (NFPA), FM Global, LPCB, VdS or other similar organizations, also with the provisions of governmental codes or ordinances whenever applicable. This documentation is not contractual. AG Fire Sprinkler reserves the right to any kind of change without notice.