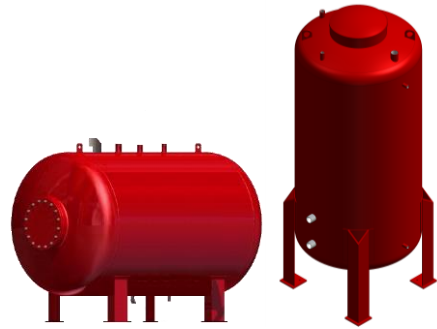


ATMOSPHERIC TANK

Carbon steel
For foam concentrate
Horizontal & Vertical



PRODUCT DESCRIPTION

The steel atmospheric tank is made of carbon steel, and it has been designed to storage foam concentrate in firefighting systems.

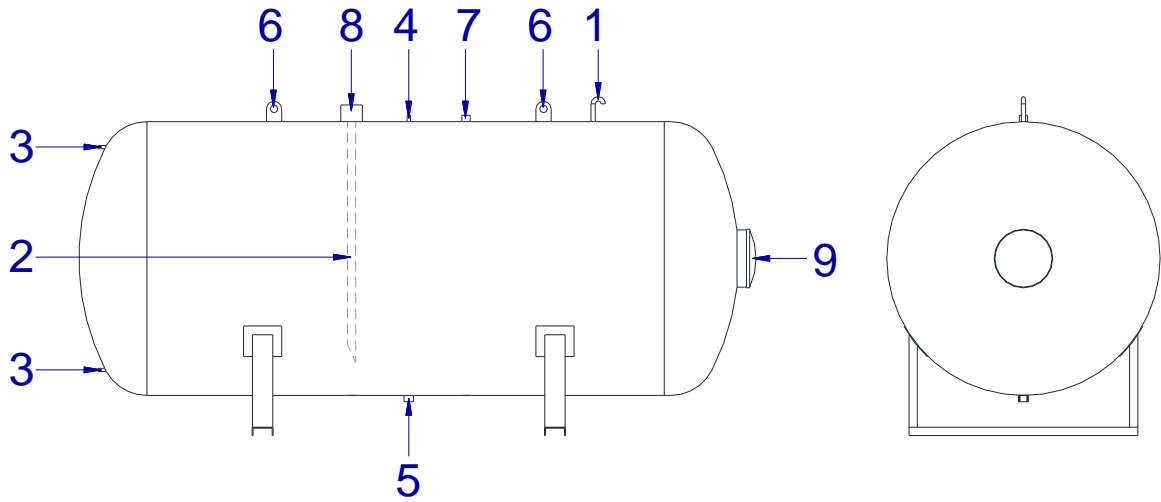
The high density and high quality of these tanks are compatible with AG Fire Sprinkler foam concentrates. They are typically used with proportioners and deluge valves to mix the concentrate and conduct the mixture into the foam system.

TECHNICAL DATA

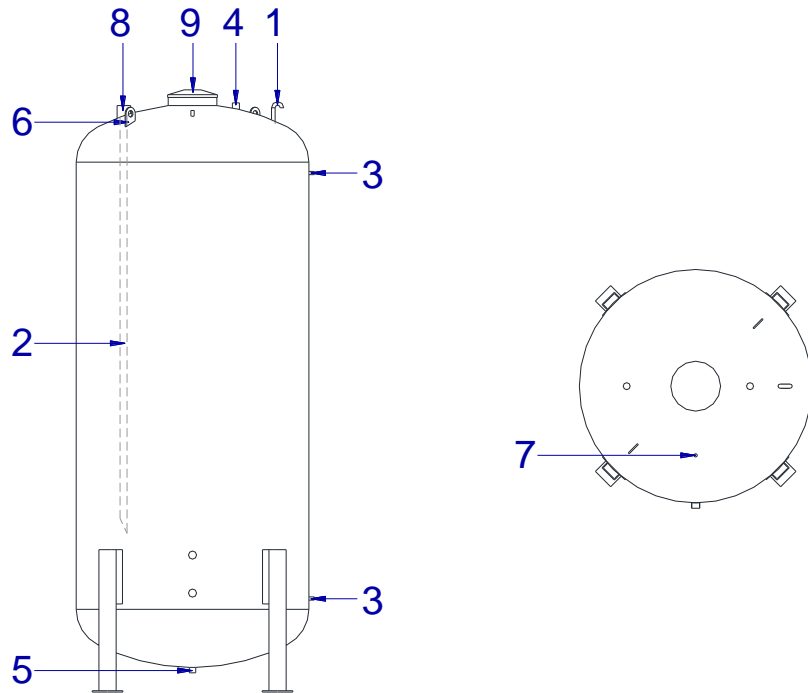
Model	Carbon steel atmospheric tank for foam concentrate
Storage capacity	200 L to 5.000 L (52,83 to 1320,86 gal) Other sizes available under request
Working pressure	Atmospheric pressure
Working temperature	-30°C to 60°C (-22°F to 140°F)
Liquids density	≤ 1,4 kg/l
Finish	Red RAL 3000

COMPONENTS

ITEM	ACCESORIES
1	Air vent
2	Probe tube
3	Visual level indicator connection
4	Suction connection
5	Drain connection
6	Lifting hook
7	Pressure gauge connection
8	Fill connection
9	Manhole
Suction, drain... valves are sold separately	
Other components available under request	



HORIZONTAL ATMOSPHERIC TANK



VERTICAL ATMOSPHERIC TANK

INSTALLATION, TESTING AND MAINTENANCE

The atmospheric tank must be installed, inspected and tested by a qualified and trained person.

After few initial successful test, a trained person must inspect and test the system. It is recommended to carry out physical inspection of the system regularly. The system must be fully tested at least once in a year or in accordance with applicable NFPA codes or in accordance to the standard of the organization having local jurisdiction.

The owner is responsible for maintenance of the tank in proper operating condition.

It is advisable to leave enough space around the tank, free of walls or other obstacles, for connecting the foam system piping and supports.

ORDERING INFORMATION

CAPACITY	CODE
200 Lts	FDDA000200
250 Lts	FDDA000250
300 Lts	FDDA000300
500 Lts	FDDA000500
800 Lts	FDDA000800
1.000 Lts	FDDA001000
1.500 Lts	FDDA001500
2.000 Lts	FDDA002000
2.500 Lts	FDDA002500
3.000 Lts	FDDA003000
3.500 Lts	FDDA003500
4.000 Lts	FDDA004000
5.000 Lts	FDDA005000

Specify:

Model	
Tank capacity	
Material of construction	
Accessories (optional)	

AG FIRE SPRINKLER

AG Fire Sprinkler offers a wide selection of components. Then a list of products is presented by AG Fire Sprinkler, we can offer all these components, made with precision to protect people, anywhere, anytime.

- Sprinklers
 - Standard Coverage
 - Extended Coverage
 - Storage
 - Dry
 - Accessories
- System Valves
 - Wet
 - Dry
 - Preaction Equipment
 - Accessories
- Spray System Open Nozzles
 - High Velocity Nozzles
 - Medium Velocity Nozzles
 - Window Nozzles
 - Hydroshield Nozzles
 - Mushroom Type Nozzles
- Foam equipment
 - Tanks
 - Proportioners
 - Foam Discharge Equipment
 - Foam Concentrates
- Deluge equipment for Water Spray and Foam
 - Clapper Deluge Valves
 - Diaphragm Deluge Valves
- Monitors
 - Manual Monitors
 - Remote Monitors
 - Monitor Nozzles
 - Towers and Trolleys
- Valves
 - Butterfly Valves
 - Gate Valves
 - Check Valves
 - Pressure Control Valves
 - Test and Drain
 - Hose, Hydrant and Fire Connection Valves
 - Fire Department Connections

The equipment presented in this bulletin is to be installed in accordance with the latest published Standard of the National Fire Protection Association, Factory Mutual Research Corporation, or other similar organizations and also with the provisions of governmental codes or ordinances whenever applicable. This documentation is not contractual. AG Fire Sprinkler reserves the right to any kind of change without notice.
