

## MONITOR TROLLEY

Model AG-CM

Monitor trolley with foam tank



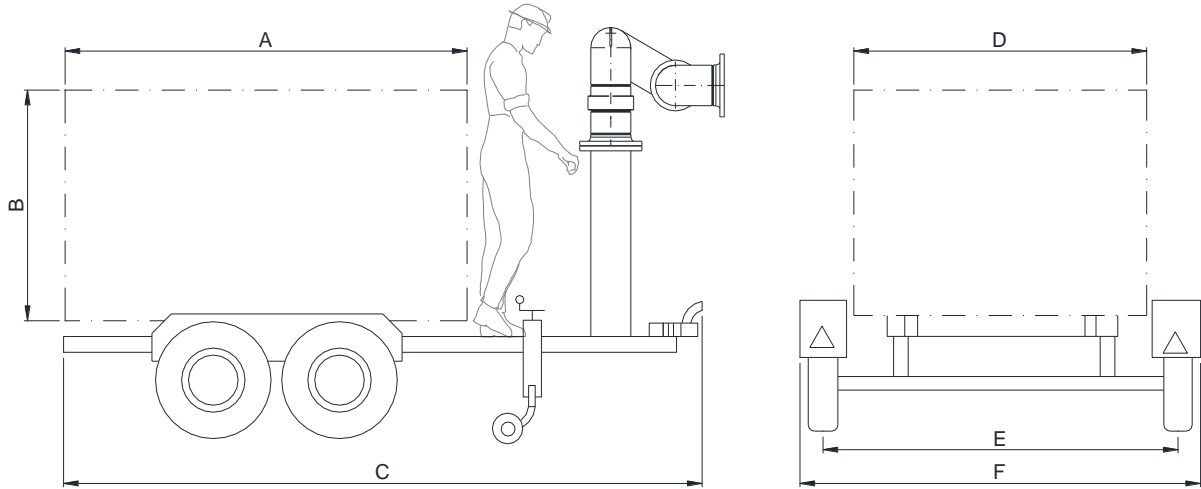
### PRODUCT DESCRIPTION

The monitor trolleys with foam tank model AG-CM from AG Fire Sprinkler can be used with all AG monitors (both manual and self-oscillating) with capacity up to 4200 lt. They are simple and reliable design. They are manufactured in carbon steel material.

### TECHNICAL DATA

<b>Models</b>	AG-CM0200 AG-CM0650 AG-CM1000 AG-CM2000 AG-CM4200
<b>Tank capacity</b>	AG-CM0200: 200 lt AG-CM0650: 650 lt AG-CM1000: 1000 lt AG-CM2000: 2000 lt AG-CM4200: 4200 lt
<b>Components</b>	"V" nozzle Wheels outside of the box Tyres Small front platform made of wood 4 retracting adjustable legs Overrun and parking brake
<b>Material of construction</b>	Carbon Steel
<b>Finish</b>	Red RAL 3000

### DIMENSIONS



Dimensions are approximate and subject to change.

MODEL	FOAM TANK CAPACITY (lt)	A (mm)	B (mm)	C (mm)	D (mm)	E (mm)	F (mm)	WORKING WEIGHT (kg)
AG-CM0200	200	1600	1200	2500	1200	1480	1620	435
AG-CM0650	650	1800	1200	3000	1200	1480	1620	1.000
AG-CM1000	1000	2200	1200	3400	1200	1480	1620	1.500
AG-CM2000	2000	3200	1200	4400	1200	1480	1620	2.500
AG-CM4200	4200	4200	1200	6400	1200	1480	1620	5.000

### ORDERING INFORMATION

CAPACITY	CODE
200 Lts	AG-CM0200
650 Lts	AG-CM0650
1000 Lts	AG-CM1000
2000 Lts	AG-CM2000
4200 Lts	AG-CM4200

Specify:

Model	
Quantity	
Capacity	

The equipment presented in this bulletin is to be installed in accordance with the latest published Standard of the National Fire Protection Association, Factory Mutual Research Corporation, or other similar organizations and also with the provisions of governmental codes or ordinances whenever applicable. This documentation is not contractual. AG Fire Sprinkler reserves the right to any kind of change without notice.